



HT-450 Rotary valve



The **HT-450 rotary valve** has a gross capacity of about 35 liters/revolution and combines simplicity and ease of maintenance with robustness. This valve has a cast iron housing and is equipped with a rotor with 8 chambers, ball bearing shaft and a direct-mounted flanged gear motor. By default, the HT-450 rotary valve is equipped with a steel rotor with steel or Vulkollan blades, a gear motor 1.1kw with 25 revolutions/minute, brand: NORD or SEW and is painted in the colour RAL 5009. Also in this new model, we offer tailor-made options and versions, such as various treatments of the housing and different drive possibilities.



HT-450 Rotary valve



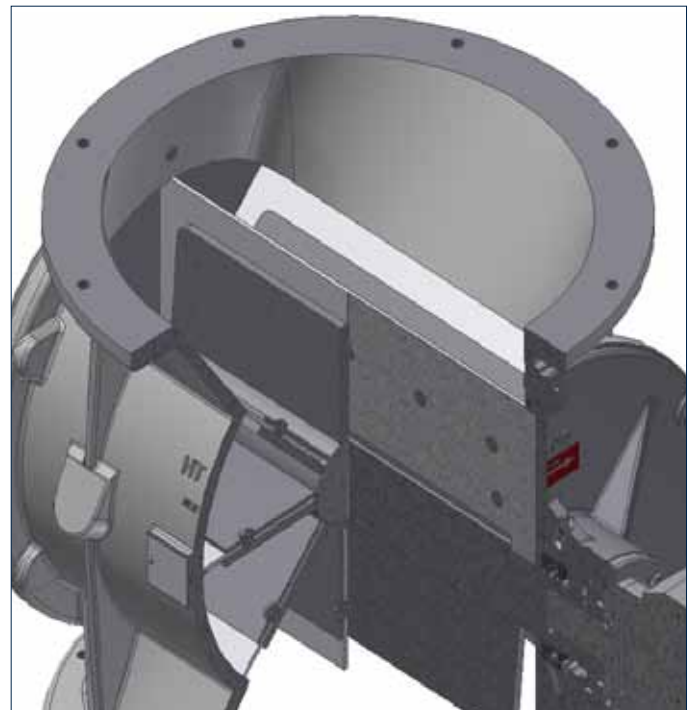
FEATURES STANDARD VERSION

| | |
|--------------------------------|---|
| Body and covers | : Cast iron EN-GJL-250 |
| In- and outlet | : Ø = 420 mm |
| Rotorconstruction | : Open, with 8 chambers |
| Driveunit | : Direct, gearmotor NORD 1,1 kW (ATEX 0,75 kW) 230/400V, 50 Hz |
| Rotation speed | : 26 rpm (ATEX 20 rpm) |
| Finishing | : - In- and outlet painted in color RAL 3020 (red) - Body, covers and motorconsole painted in color RAL 5009 (blue) - Other RAL colors available at surcharge |
| Sealing | : Oil sealrings with grease and dust lip |
| Bearings | : Maintenance-free ball bearings |
| Max. operating pressure | : 10.000 Pa (1.000 mmVVK) |
| Temperature | : -15° up to 60°C (stainless steel and steel blades: up to 80°C) |
| Capacity | : ca. 35 liter / rev (100% filling) |

ROTORS

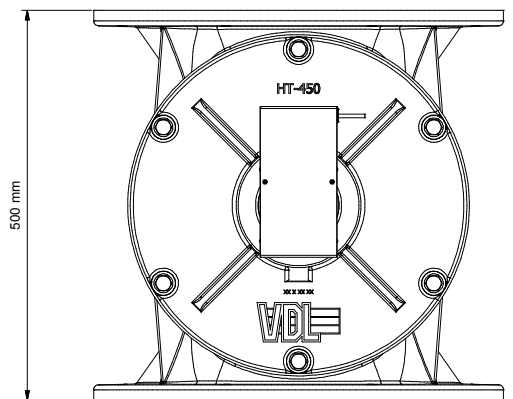
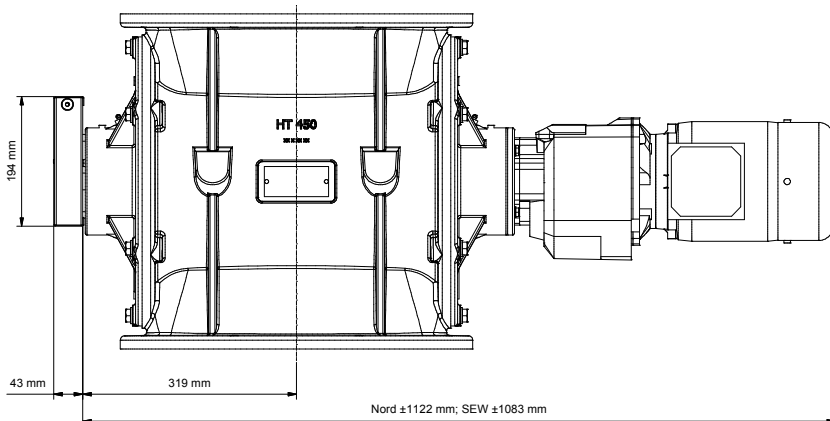
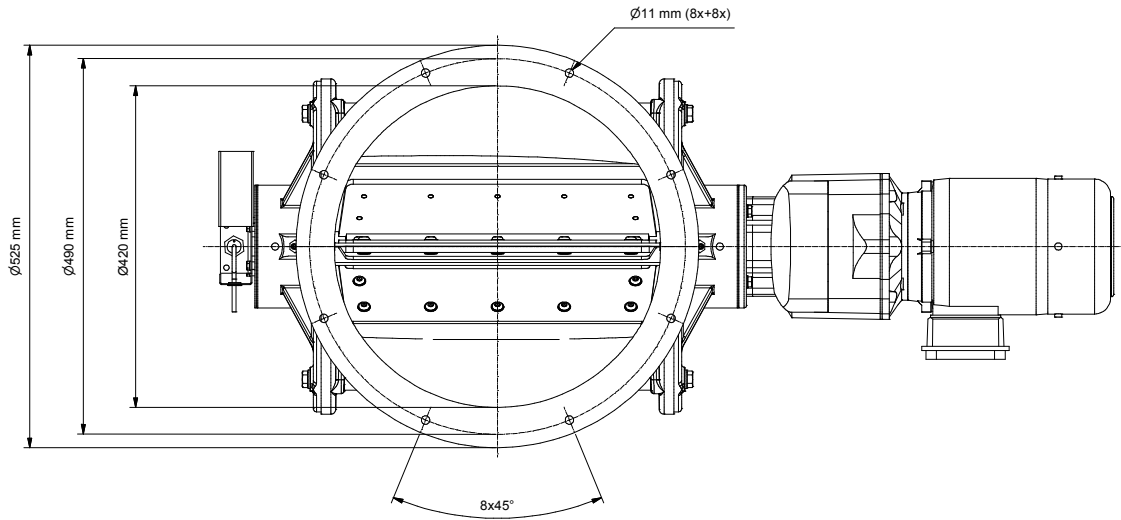
| | |
|--|---|
|  |  |
| Steel / Vulkollan | Steel / Steel |
|  |  |
| RVS / Vulkollan | RVS / RVS |

PROFILE





HT-450 Rotary valve



OPTIONS

| | | | |
|---|---|---|---|
|  |  |  | |
| Gearmotors | Different color | Air vent / air barrier | |
|  |  |  |  |
| Chromium plating | Chemically nickel plated | Revolution control | Gasket & flange |